

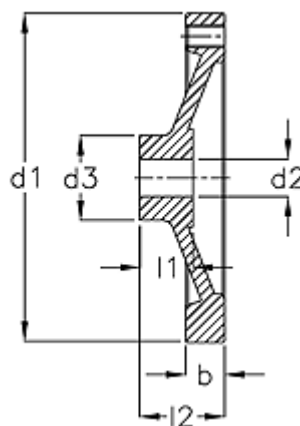
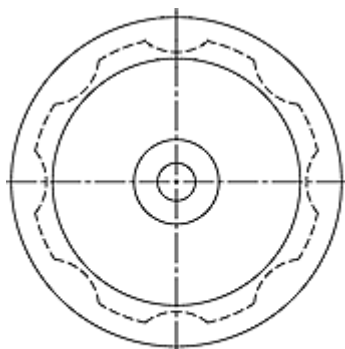
Data Sheet



Article number: 20346341

Description: E+G Handwheel
GN 321.5-250-K22-A-DR

Measures



b	= 30
d1	= 250
d2 H7	= 22
d3	= 46
l1	= 28
l2	= 54.0